



## Through connection block type BPP2-5BU/1 for rated voltage 500V



Through connection block type BPP2-5BU/1 is a device designed for use in underground mining pits in non-explosive coal dust conditions and on the ground.

Through connection block type BPP2-5BU/1 is designed for connecting and distributing power in mine distribution three-phase grid with isolated star point transformer (IT system) for rated grid voltage of 500V.

Wires are connected to the block via clamps or via clamps to connecting cable without terminals through cable glands.

### TECHNICAL DATA:

Ingress protection  
Insulation rated voltage of main circuits  
Rated power supply voltage  
Rated current of the outlets 1÷4  
Dimensions  
Weight

IP54  
660 V  
3x500V, 50Hz, IT grid  
(160, 250) A  
1300 x 900 x 370mm (H x W x D)  
90 kg

## CONSTRUCTION

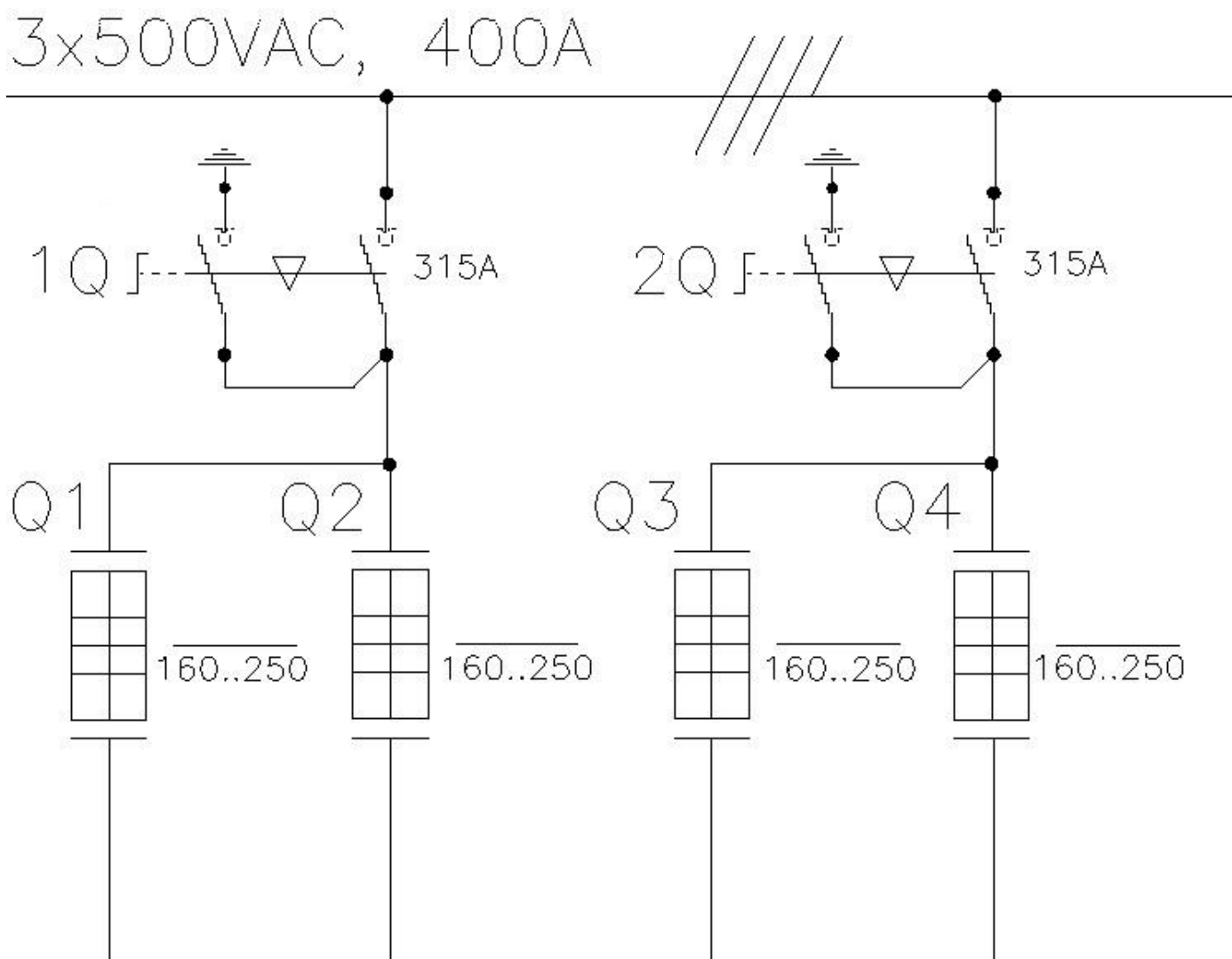
The through connection block housing is made of steel sheets. The whole unit is based by a common support frame. The housing is equipped with brackets that allow for the switchgear to be hung on a chain or to be placed directly on the ground.

## MODE OF OPERATION

In the main 3x500V grid the through connection block is equipped with a three-position switches 1Q, 2Q: on-off-grounded. Control of the outlets is carried out through drive levers of the switches.

The block's door can only be opened if both switches are in grounded position.

## SCHEMATIC DIAGRAM



Orders should be submitted in writing or by fax to the address:

 **Instal-Service PL**

Spółka z ograniczoną odpowiedzialnością  
Spółka komandytowa

58-506 Jelenia Góra, ul. Wrocławska 15a

tel. (+48 075) 64-57-950

fax. (+48 075) 64-57-951

e-mai: [instal@instal-service.pl](mailto:instal@instal-service.pl)